

DATASHEET

XS4 ORIGINAL KEYPAD by SALTO

The SALTO XS4 Original wide version is specially designed to fit most Euro profile doors and work with the majority of European mortise locks and cylinders. The keypad version increases security and control, as it offers the choice of three forms of authentication to grant access.

www.saltosystems.com

TECHNICAL SPECIFICATIONS: XS4 ORIGINAL KEYPAD Ex6xxK

SALTO
inspired access



TECHNICAL DATA:

Reader dimensions (H x W x D):	290,0 x 67,0 x 20,0 mm
Weight	1,5 kg
Handle rotation:	Max. 52°
Door thicknesses:	32 mm - 120 mm
Distance from the handle to the cylinder	47 - 110 mm
Square spindles:	7mm, 7.6mm split, 8mm, 8mm split.
Power source:	3 AA batteries (LR6 1,5V)
Number of openings:	40,000 - 60,000 depending on the technology
Maximum events on lock audit	650 to 1,000 events
Design for:	Indoor use only
Environmental conditions:	+0 °C / +50 °C. (with Lithium batteries -20 °C / +60°C)
Certifications:	CE, FCC, IC, UKCA, ACMA, EAC, MIC, IMDA, NCC

ID TECHNOLOGIES:

MIFARE*:	•
BLE Smart:	•
NFC:	•
Legic:	—
HID iClass®:	•
Picopass:	—

* MIFARE® (DESFire EV1, Plus, Ultralight C, Classic - ISO/IEC 14443).

TECHNOLOGY PLATFORMS:**SALTO SPACE:**

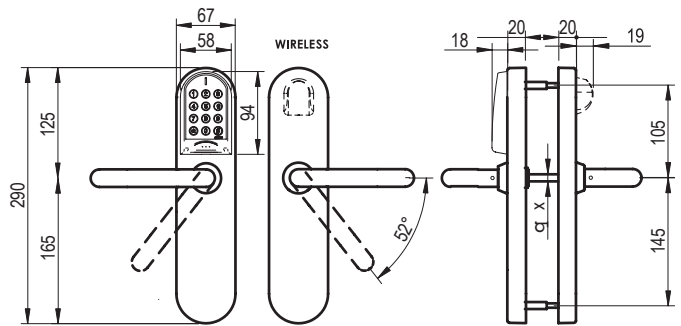
Smile - Selfprogrammable	—
ROM:	—
SVN data-on-card:	•
SALTO RFnet:	•
SALTO BLUEnet:	—

SALTO KS:

SALTO KS:	•
-----------	---

SALTO SALLIS:

SALLIS:	•
---------	---

TECHNICAL DRAWING:**OPTIONS:****Faceplate finish:**

IM Satin stainless steel:	•
IP Bright stainless steel:	•
IA Antique brass:	•
PP PVD bright brass type:	•
PM PVD satin brass type:	•
NE Black chromium:	•

Handles

Compatible handles	U, L, W, H, S, B, P, J, T, Y, Z, O, A, N, G, K, 2, 3, 4, 5, 7
--------------------	---

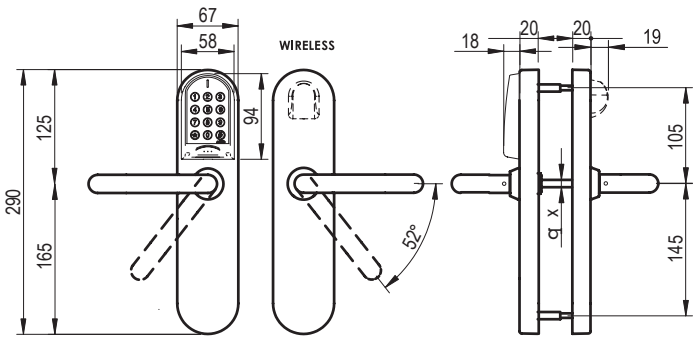
OPENING MODES:

Standard:	•
Standard + PIN Code	•
Keypad Code	•
Office mode:	•
Timed office:	•
Automatic opening:	•
Automatic opening + office	•
Toggle:	•
Timed Toggle:	•
Amok mode:	—
Exit leaves open mode:	•

MODELS:

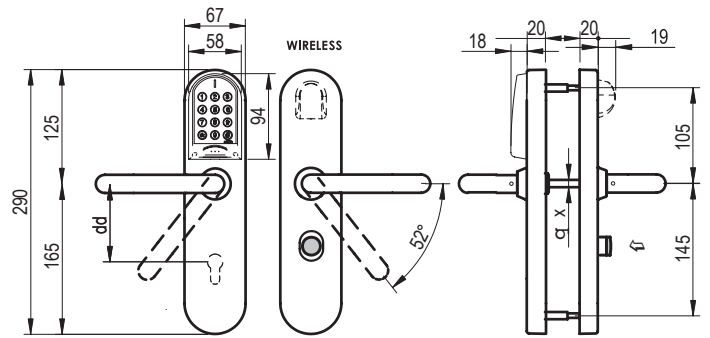
MODEL 50-K:

- 2 handles any type.



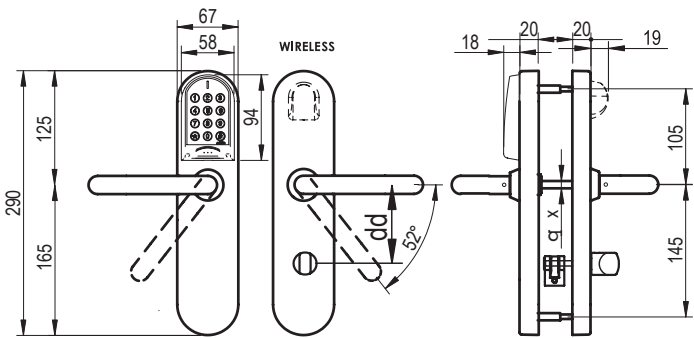
MODEL 57-K:

- 2 handles any type.
- Outside cylinder cut out.
- Electronic "do not disturb" system (Not available in selfprogrammable).



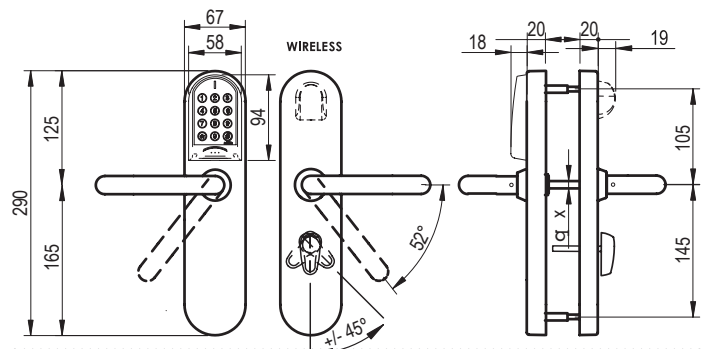
MODEL 51-K:

- 2 handles any type.
- Inside thumbturn.



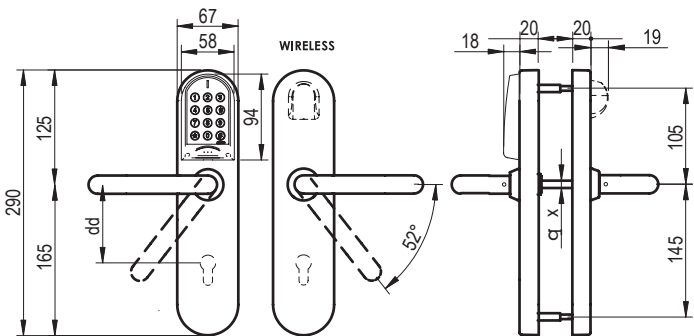
MODEL 58-K:

- 2 handles any type.
- Inside thumbturn.
- (RETROFIT Type: ANSI Inverted Position)



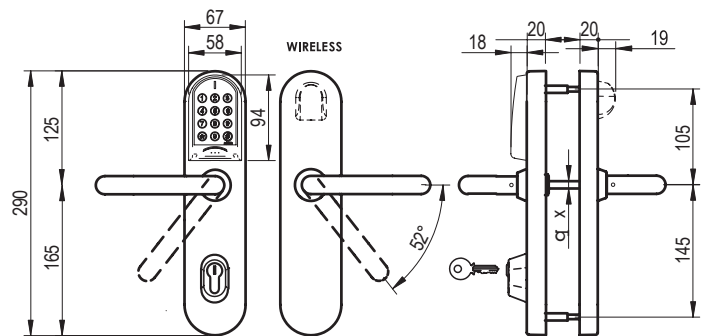
MODEL 52/53/54 -K:

- 2 handles any type.
- Inside (models 52 / 53) / (models 54) Outside cylinder cut out.



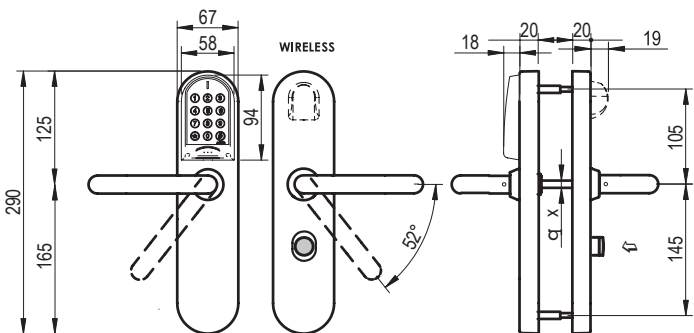
MODEL P0-K:

- 2 handles any type.
- Built in mechanical override with audit.
- (Ex6P0 reference: Euro profile cylinder 30-10).



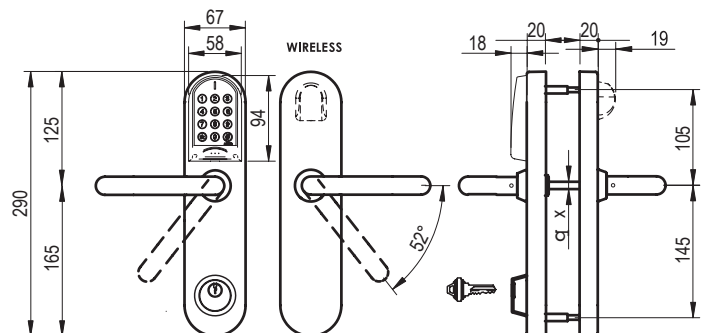
MODEL 56-K:

- 2 handles any type.
- Electronic "do not disturb" system (Not available in selfprogrammable).



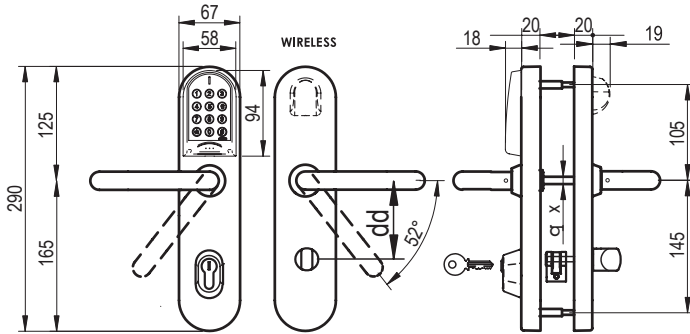
MODEL 60-K:

- 2 handles any type.
- Built in mechanical override with audit.
- (Ex660 reference: Mortise cylinder 1 1/8").



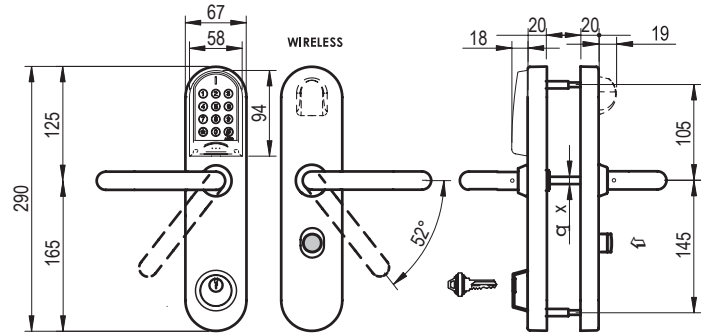
MODEL P1-K:

- 2 handles any type.
- Inside thumbturn.
- Built in mechanical override with audit.
(Ex6P1 reference: Euro profile cylinder 30-10).



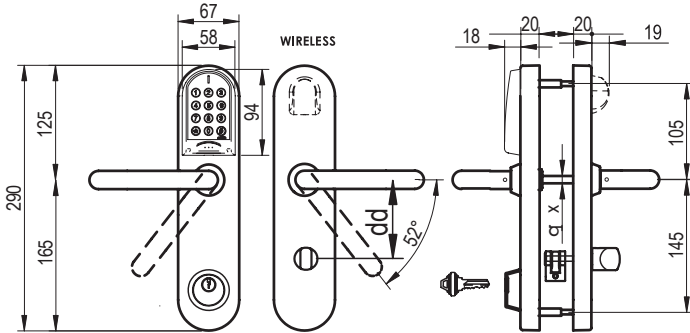
MODEL 66-K:

- 2 handles any type.
- Electronic “do not disturb” system (Not available in selfprogrammable).
- Built in mechanical override with audit.
(Ex666 reference: Mortise cylinder 1 1/8”).



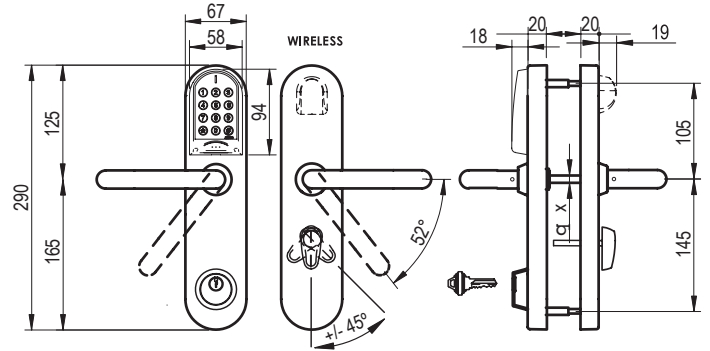
MODEL 61-K:

- 2 handles any type.
- Inside thumbturn.
- Built in mechanical override with audit.
(Ex661 reference: Mortise cylinder 1 1/8”).



MODEL 68-K:

- 2 handles any type.
- Inside thumbturn. (RETROFIT Type: ANSI Inverted Position)
- Built in mechanical override with audit.
(Ex668 reference: Mortise cylinder 1 1/8”).



MODEL P6-K:

- 2 handles any type.
- Electronic “do not disturb” system (Not available in selfprogrammable).
- Built in mechanical override with audit.
(Ex6P6 reference: Euro profile cylinder 30-10).

