

DATASHEET

XS4 Original+ Euro

The XS4 Original+ narrow body version is designed to fit most European profile doors and mortise locks standards. Easy to install and retrofit, it can replace your existing door hardware and fits any door with a broad range of different models and functions. The XS4 Original+ incorporates the latest BLUEnet wireless and mobile credentials technology to accommodate access control needs of both today and tomorrow.



TECHNICAL DATA:

Reader dimensions :	282 x 40 x 20 mm
Weight:	1.5 kg
Handle rotation:	Max. 33°
Door thicknesses:	32 mm - 120 mm
Distance from the handle to the cylinder	47 - 110mm
Square spindles:	7mm, 7.6mm split, 8mm, 8mm split, 9mm, 9mm split.
Power source:	3 LR03 batteries (AAA size) (optional lithium FR03)
Number of openings ¹ :	Salto Space: > 106.000 (physical credentials) > 108.500 (mobile Bluetooth LE) > 99.700 (mobile NFC) Salto KS: > 113.800 (physical credentials) > 105.900 (mobile Bluetooth LE) > 113.600 (mobile NFC) Salto Homelok: > 83.800 (physical credentials) > 129.000 (mobile Bluetooth LE)
Maximum events on lock audit:	1861 (Salto Space) 1462 (Salto KS and Salto Homelok)
Environmental conditions Outdoor:	-35 °C / +60 °C. without condensation.
Environmental conditions Indoor:	-5 °C / +50 °C without condensation (optional -35°C / +60°C)
IP class:	IP54 (optional E5 - IP56 ²)
Certifications:	CE, FCC, IC, UKCA, ACMA, EAC, IMDA, NCC, WPC, TDRA, MIC, KCC, SUBTEL, NTRA, EN 179, EN 1634-1 (Ei30, Ei60), SKG*, PAS24*, AbP (P-120003012, DO 20.52), Ü-Certificate

¹Maximum numbers depending on the used credential

²External escutcheon

OPENING MODES:

Standard:	•
Office mode:	•
Timed office:	•
Automatic opening:	•
Automatic opening + office	•
Toggle:	•
Timed Toggle:	•
Amok mode:	—
Exit leaves open mode:	•

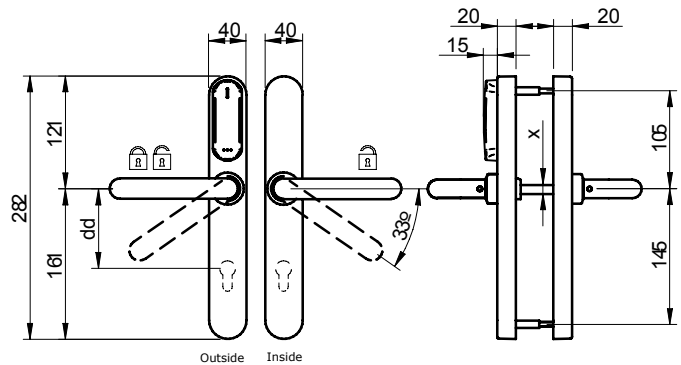
CREDENTIAL TECHNOLOGIES:

JustIN Mobile Credentials ¹ :	•
NXP MIFARE ² :	•

¹Bluetooth Digital Key and Near Field Communication (NFC) capability.

² MIFARE® DESFire® EV1/EV2/ EV3, MIFARE® Plus, MIFARE® Ultralight C, MIFARE® Classic.

TECHNICAL DRAWING:



SALTO PLATFORMS:



SVN data-on-card	•	—	•
JustIN Mobile	•	•	•
BLUenet Wireless	• ⁴	•	•
Apple Wallet	—	—	•

¹Salto Space. On-premise access control platform

²Salto KS. Cloud-based access control platform

³Salto Homelok. Cloud-based access control platform

⁴RFnet Wireless versions are not compatible

FINISH:

IM Satin Stainless - BHMA630 US32D	•
IP Polished Stainless - BHMA629 US32	•
PM PVD satin brass type - BHMA731 US4	•
PP PVD bright brass type - BHMA724 US3	•
NE Black chromium - BHMA687	•
DB PVD Dark Bronze - BHMA640 US10B	•
BC BioCote anti-microbial	•

READER FINISH:

Black:	•
White:	•

HANDLES:

Compatible handles*	A, B, G, H, I, J, K, L, N, O, P, S, T, U, W, Y, Z, 2, 3, 4, 5, 7
High Transit:	• (optional)

* Not all the handles are available in all finishes.

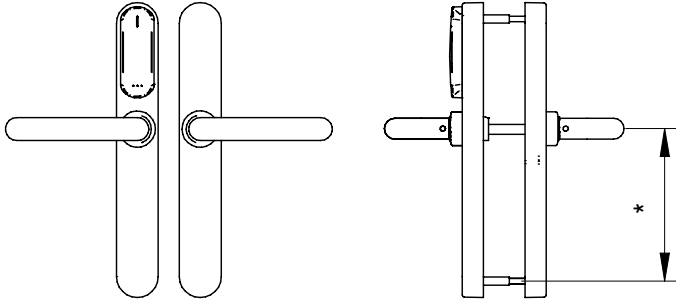
LOCKS:

Euro-DIN:	•
Tubular:	•

MODELS:

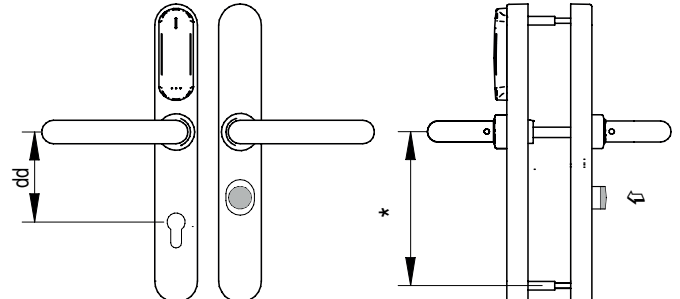
MODEL 50:

- 2 handles any type.



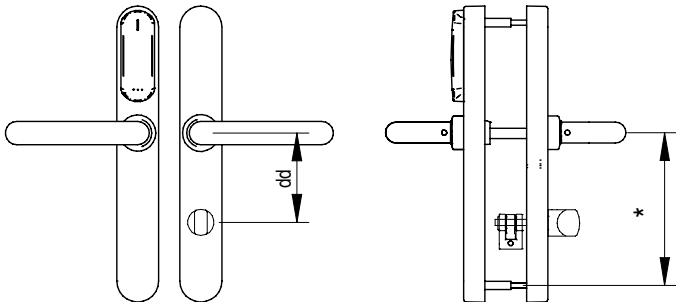
MODEL 57:

- 2 handles any type.
- Outside cylinder cut out.
- Electronic "do not disturb" system (Not available in self-programmable).



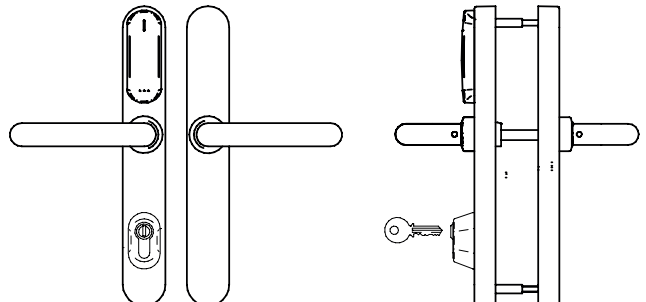
MODEL 51:

- 2 handles any type.
- Inside thumbturn.



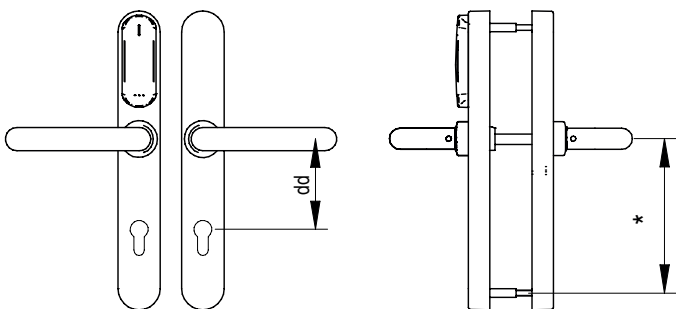
MODEL P0:

- 2 handles any type.
- Built in mechanical override with audit.
(Ex4P0 reference: Euro profile cylinder 30-10).



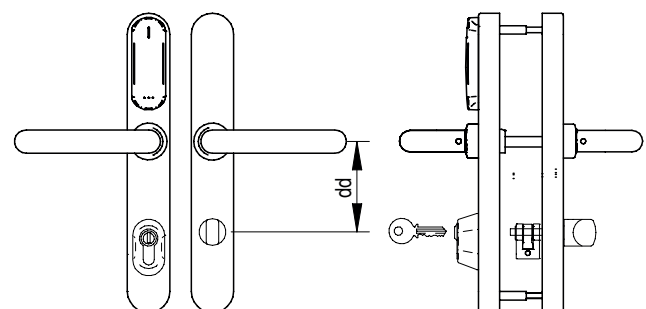
MODEL 52/53/54:

- 2 handles any type.
- Inside (models 52 / 53) / (models 54) Outside cylinder cut out.



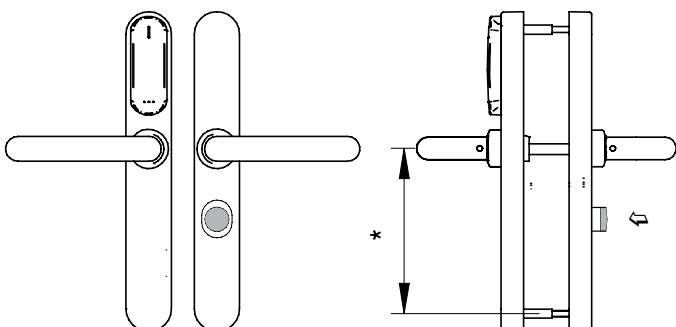
MODEL P1:

- 2 handles any type.
- Inside thumbturn.
- Built in mechanical override with audit.
(Ex4P1 reference: Euro profile cylinder 30-10).



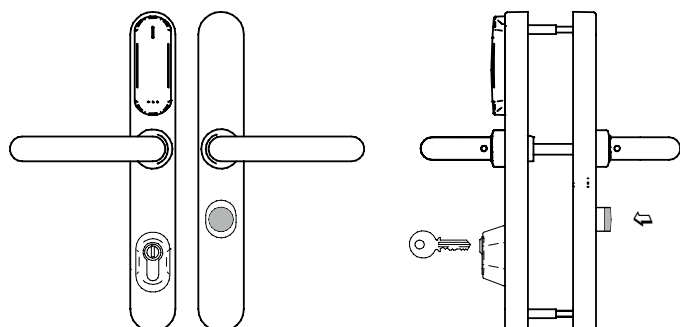
MODEL 56:

- 2 handles any type.
- Electronic "do not disturb" system (Not available in self-programmable).



MODEL P6:

- 2 handles any type.
- Electronic "do not disturb" system
- Built in mechanical override with audit.
(Ex4P6 reference: Euro profile cylinder 30-10).

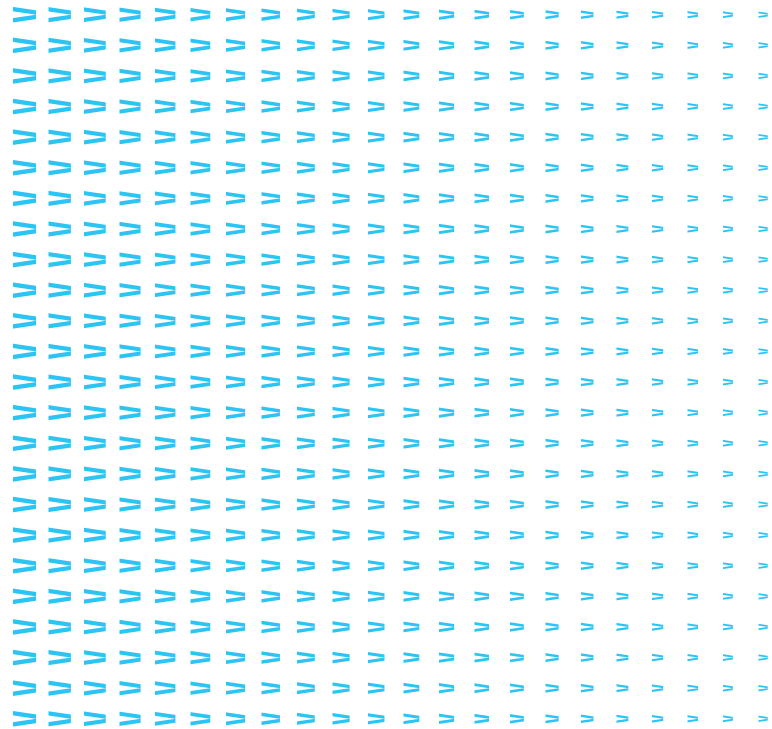


Salto Systems.

Get in touch with our team.

Give us a brief summary of your needs, your next project and we'll get back to you.

Spain, UK, France, Germany, Switzerland, The Netherlands, Belgium, Poland, Slovakia, Slovenia, Czech Republic, Denmark, Norway, Sweden, Finland, Italy, Portugal, US (NYC - Atlanta - LV), Canada, Mexico, Costa Rica, Colombia, Puerto Rico, Chile, UAE, India, South Africa, Singapore, China, Hong Kong, Korea, Vietnam, Australia, New Zealand.



[TECHNICAL SPECIFICATIONS - DATASHEET-SALTO-XS4-ORIGINAL-PLUS-EURO-EX4XX-ENG-05-24](#)

—
Copyright © 2024 Salto Systems

Salto Systems reserves the right to modify technical specifications, designs and performance without notice.